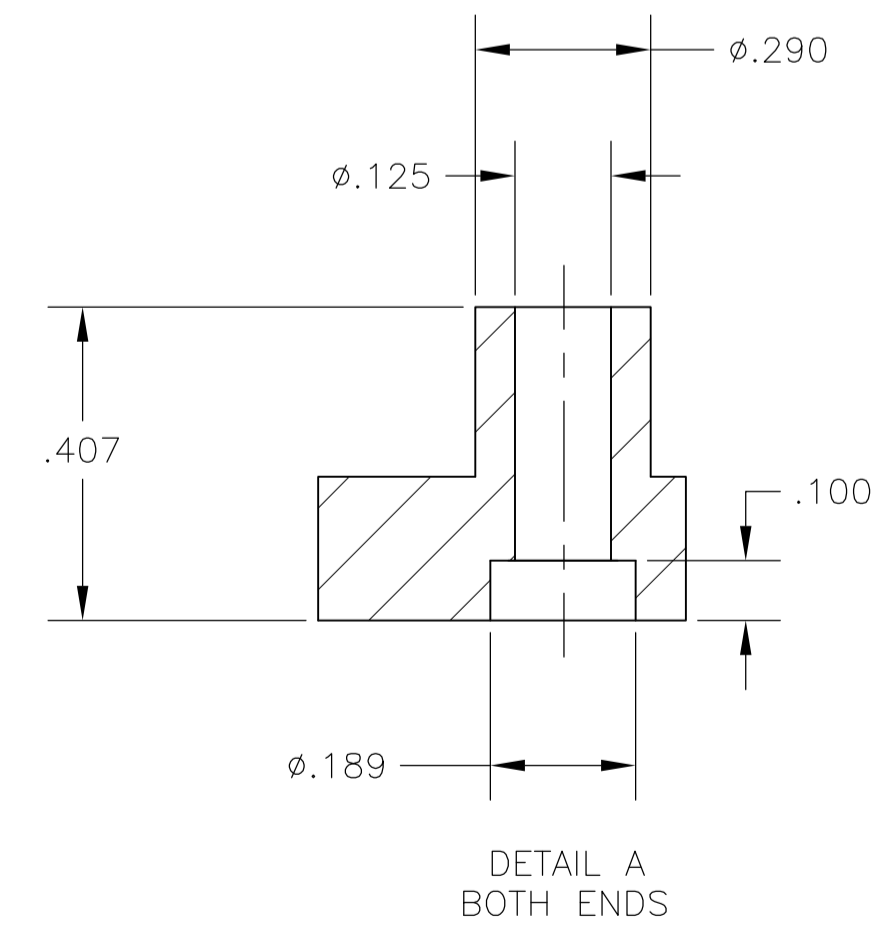
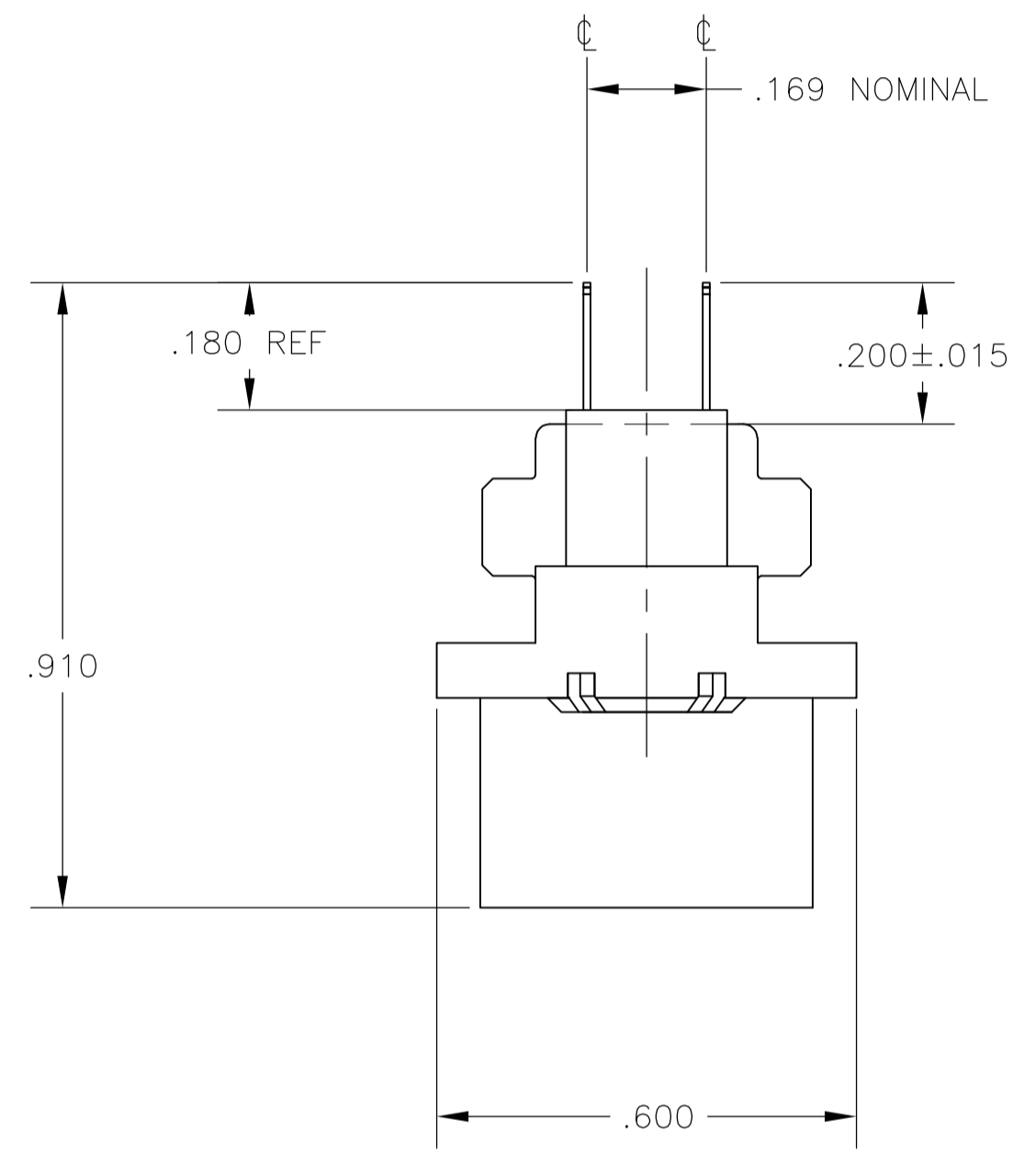
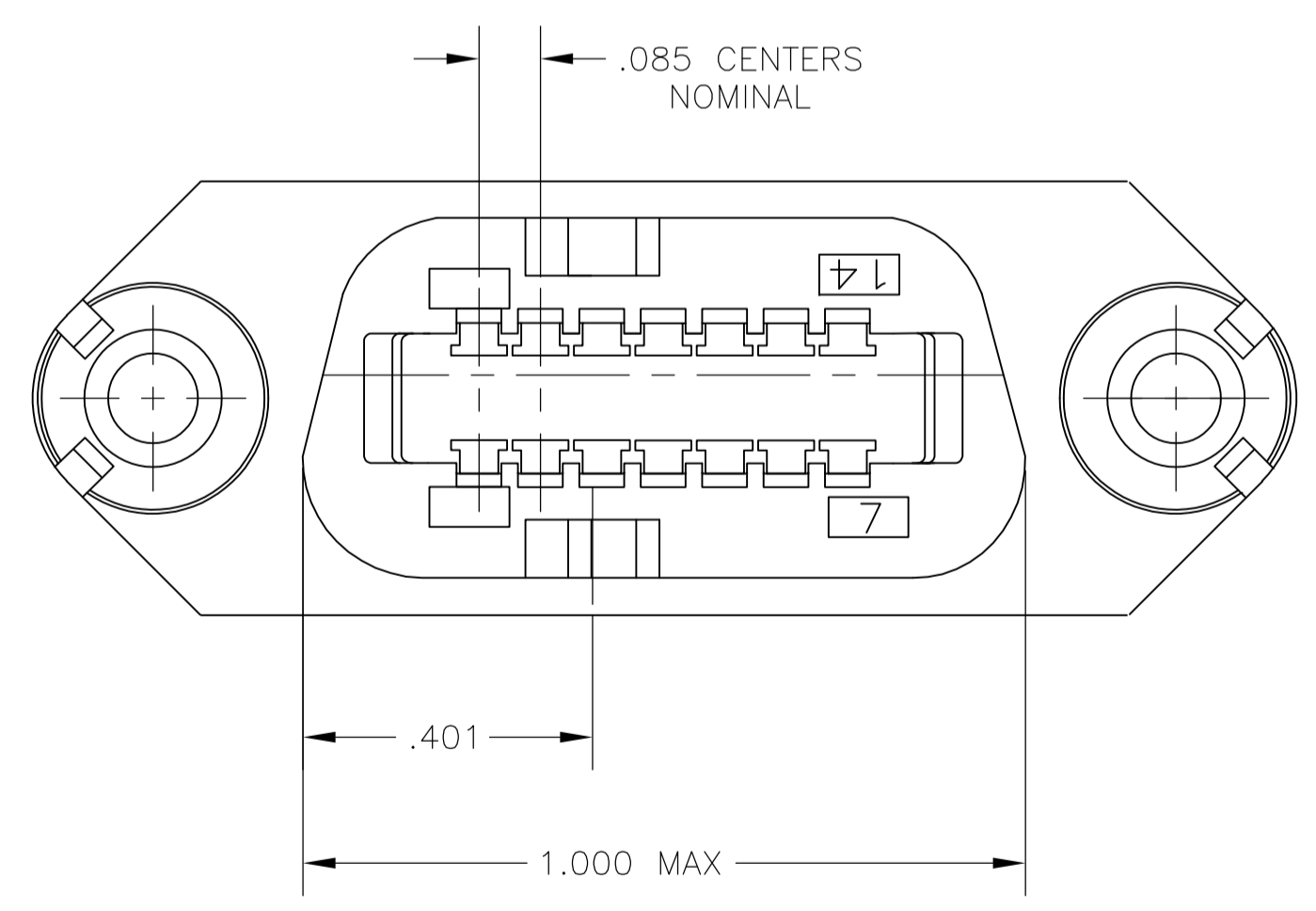
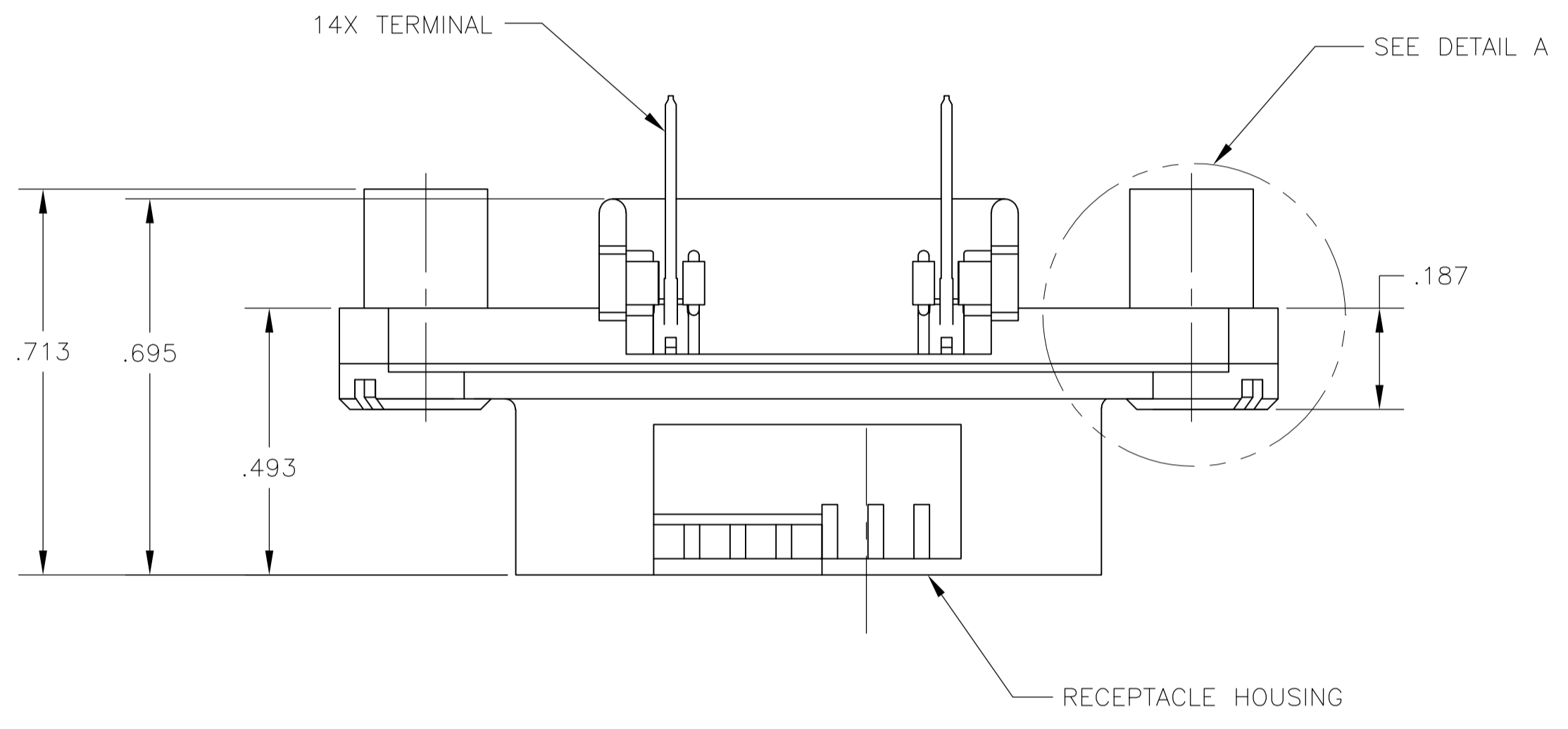
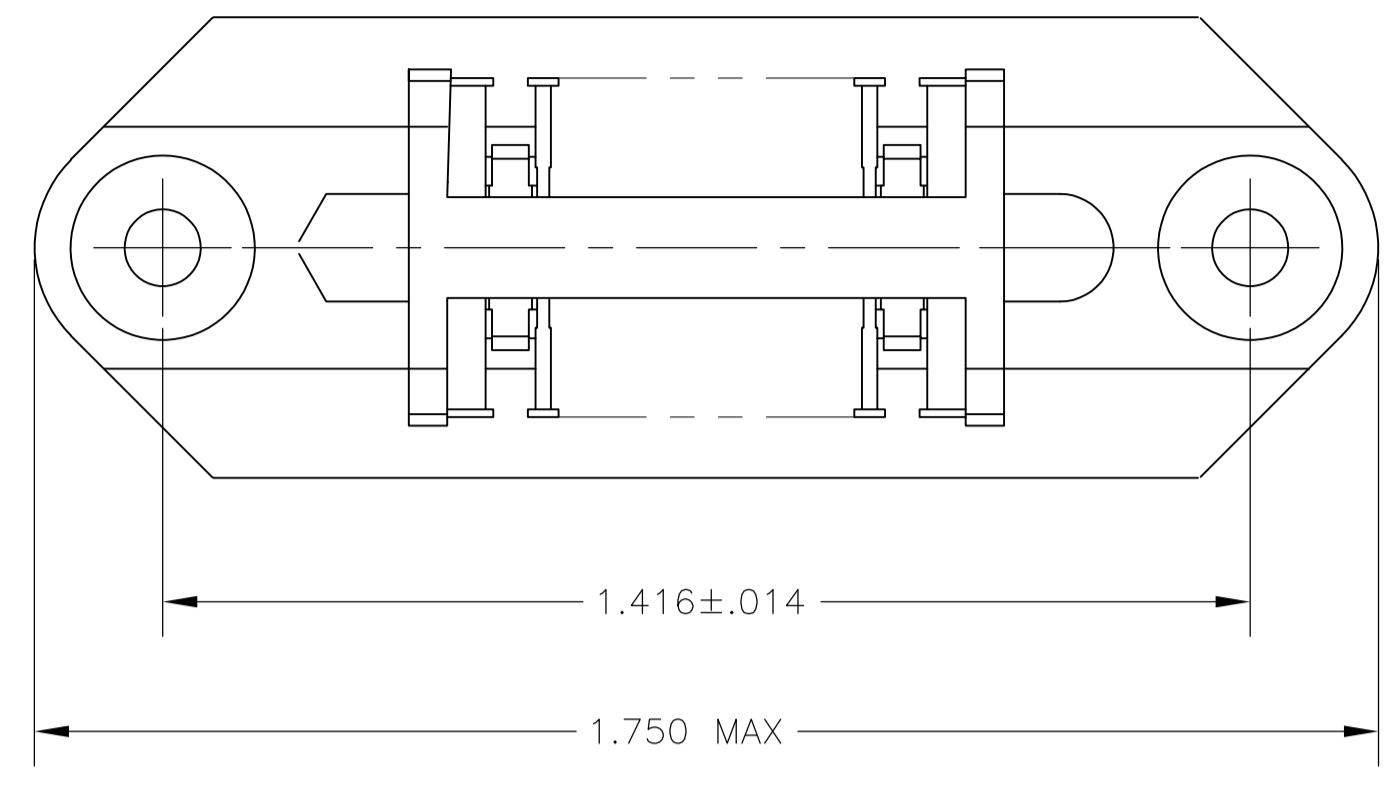


LOC		DIST		REVISIONS			
GP	00	REV	DATE	BY	APP'D	DATE	BY
B		REVISED PER ECO-08-007327	22JUL08	BM	WM		



- THE CONTACT SURFACES OF THE TERMINALS ARE COATED WITH LUBRICANT.
- ⚠ ALL DIMENSIONS SHOWN ARE FOR REFERENCE ONLY UNLESS OTHERWISE SPECIFIED.
- ⚠ MATERIAL: HOUSING - THERMOPLASTIC, BLACK.
 TERMINAL - PHOS BRONZE PLATED WITH EITHER .000030 MINIMUM GOLD PLATE OR GOLD FLASH OVER PALLADIUM NICKEL PLATE, .000030 MINIMUM TOTAL ON MATING SURFACE.
 .000120 MINIMUM TIN PLATE ON TAILS OVER .000050 MINIMUM NICKEL UNDERPLATE OVER ENTIRE TERMINAL.

5552212-1
PART NUMBER

THIS DRAWING IS A CONTROLLED DOCUMENT.		DIN B LATTUCA 23AUG05	Tyco Electronics Corporation Harrisburg, PA 17105-3608	
DIMENSIONS: INCHES		CHK W MILLHIMES 23AUG05	NAME M WALMSLEY 23AUG05	
TOLERANCES UNLESS OTHERWISE SPECIFIED:		PRODUCT SPEC		
0 PLC ± - 1 PLC ± - 2 PLC ± - 3 PLC ± - 4 PLC ± - ANGLES ± -		APPLICATION SPEC		
MATERIAL		SIZE A1	CAGE CODE 00779	DRAWING NO 5552212
FINISH		WEIGHT	RESTRICTED TO	
CUSTOMER DRAWING		SCALE 4:1	SHEET 1 of 1	REV B